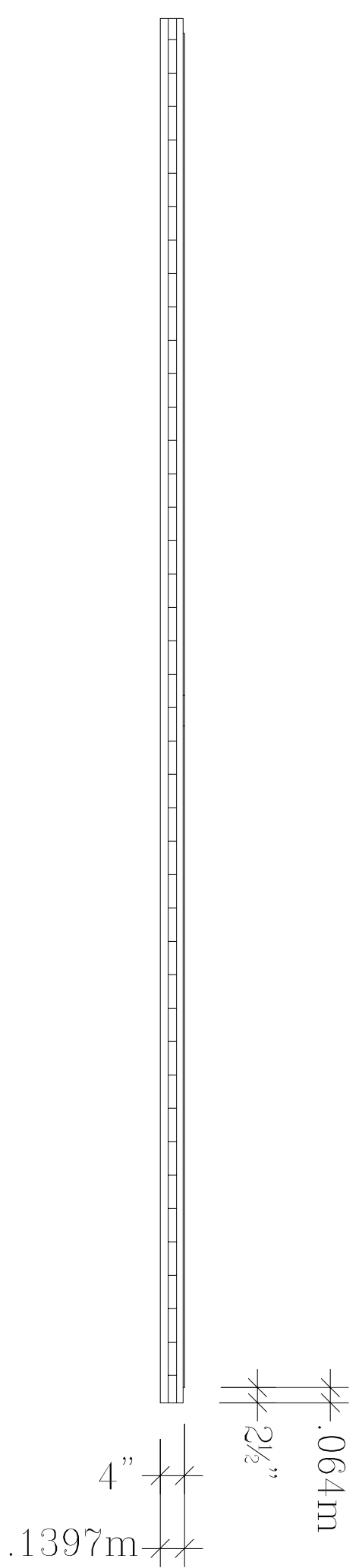
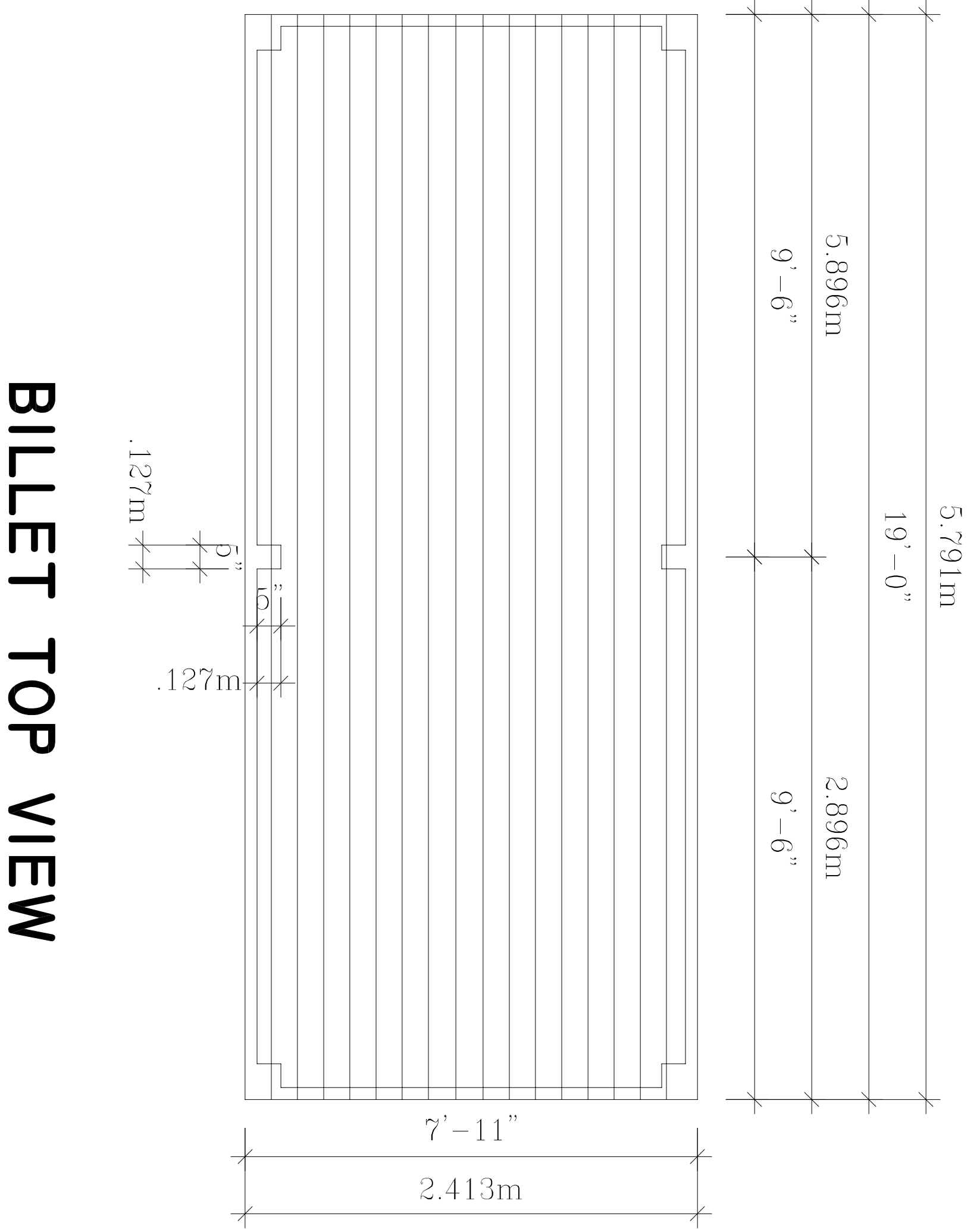
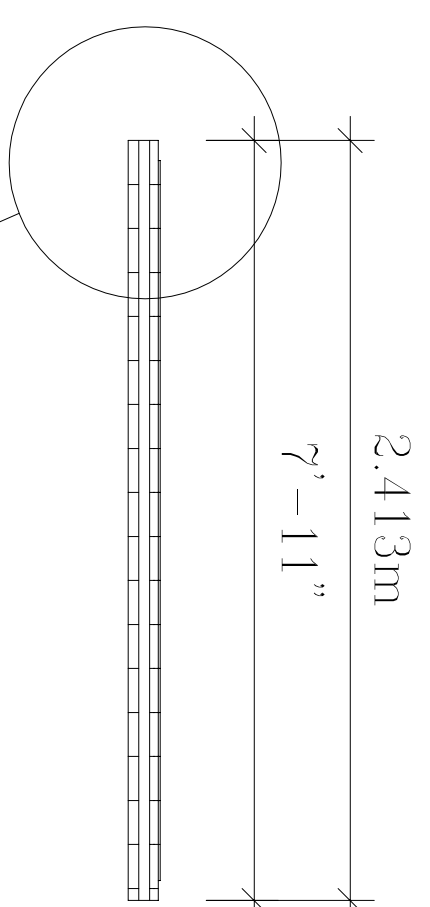


BILLET SIDE VIEW

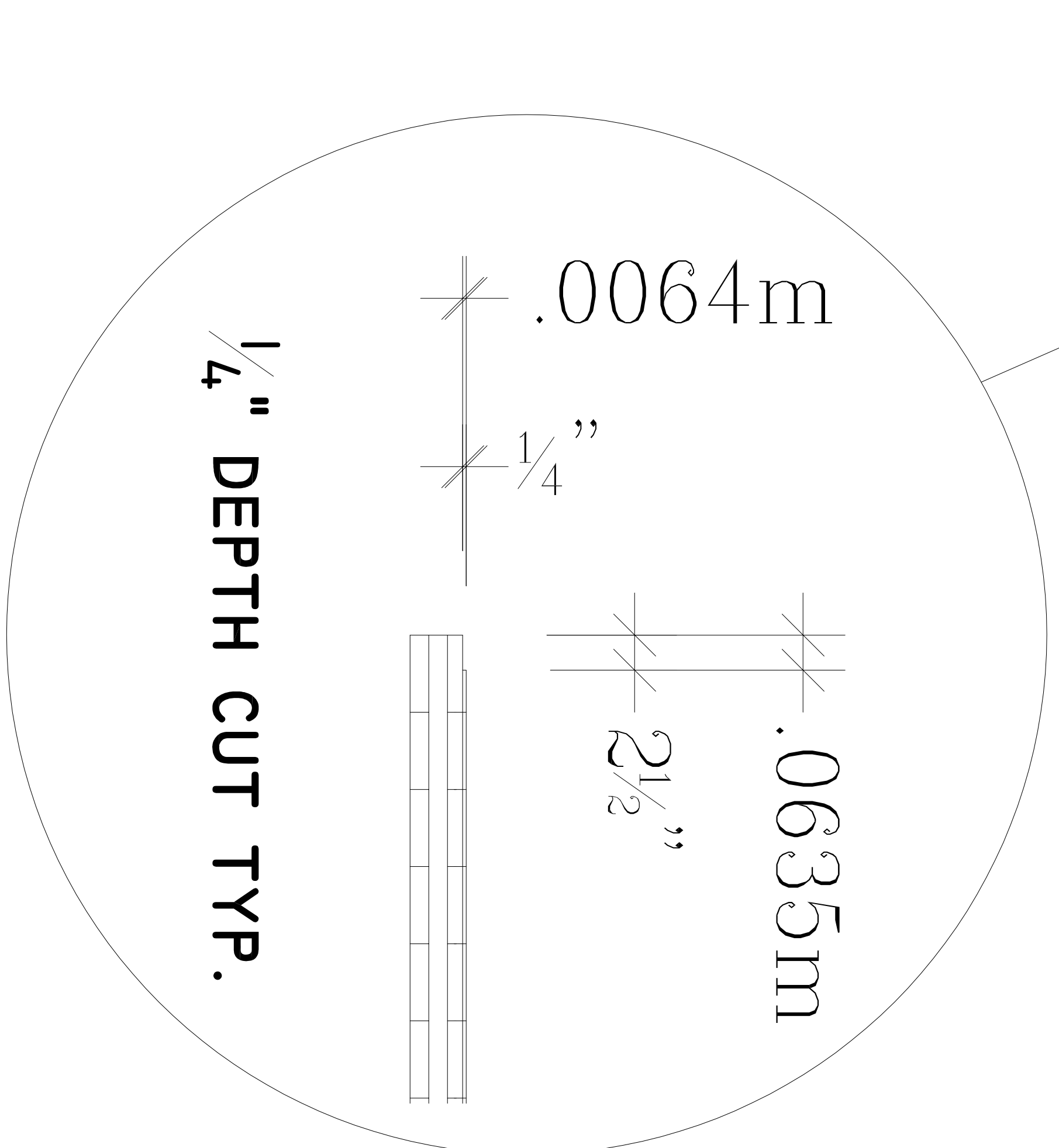


BILLET END VIEW



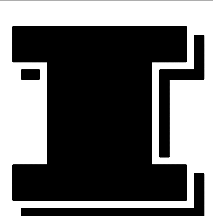
BILLET TOP VIEW

1/4" DEPTH CUT TYP.



BILLET

Project No.



IMPACT
DRAFTING & DESIGN, INC.
D/C Center
210 Hensch Blvd, Ste 2
Billings, MT 59101
406-259-2100
www.impactdrafting.com

Scale:
1/2" = 1'

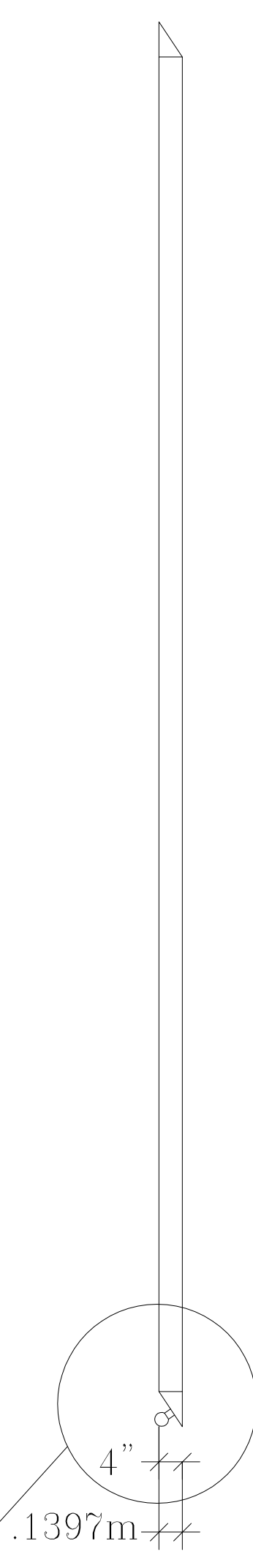
File: D:\IMPACT\Files
Rig Mats of America Inc
44061259-9172
Missing or invalid re

Drawn by:	Date:
J. Groves	16 Oct 12
Revised by:	Date:
© 2012 IMPACT Drafting & Design, Inc. All rights reserved. All design drawings are the property of IMPACT Drafting & Design, Inc. No part of this drawing may be reproduced without the written consent of IMPACT Drafting & Design, Inc. This drawing is intended for use in the construction of rig mats. It is not to be used for any other purpose without the written consent of IMPACT Drafting & Design, Inc.	

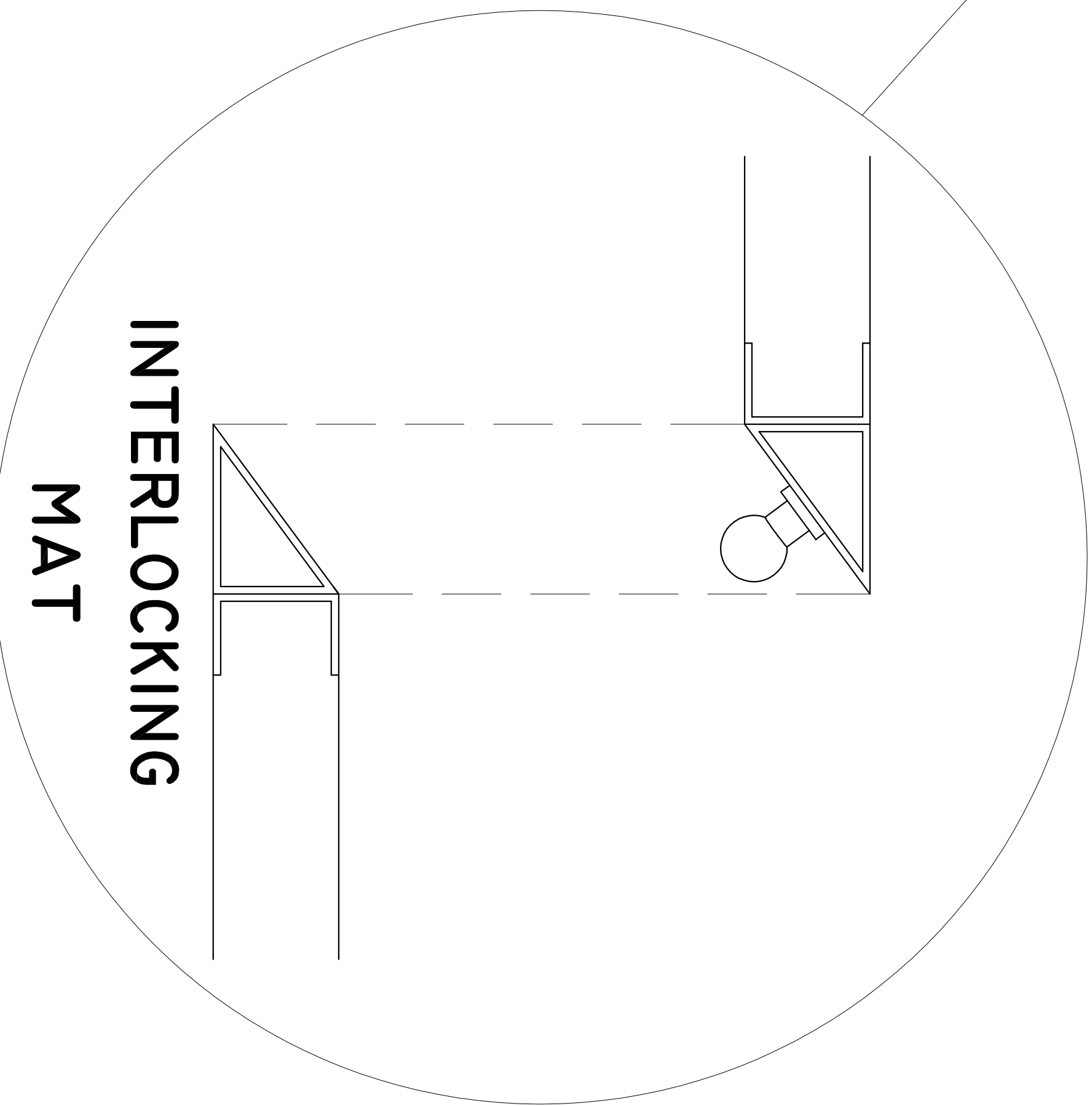
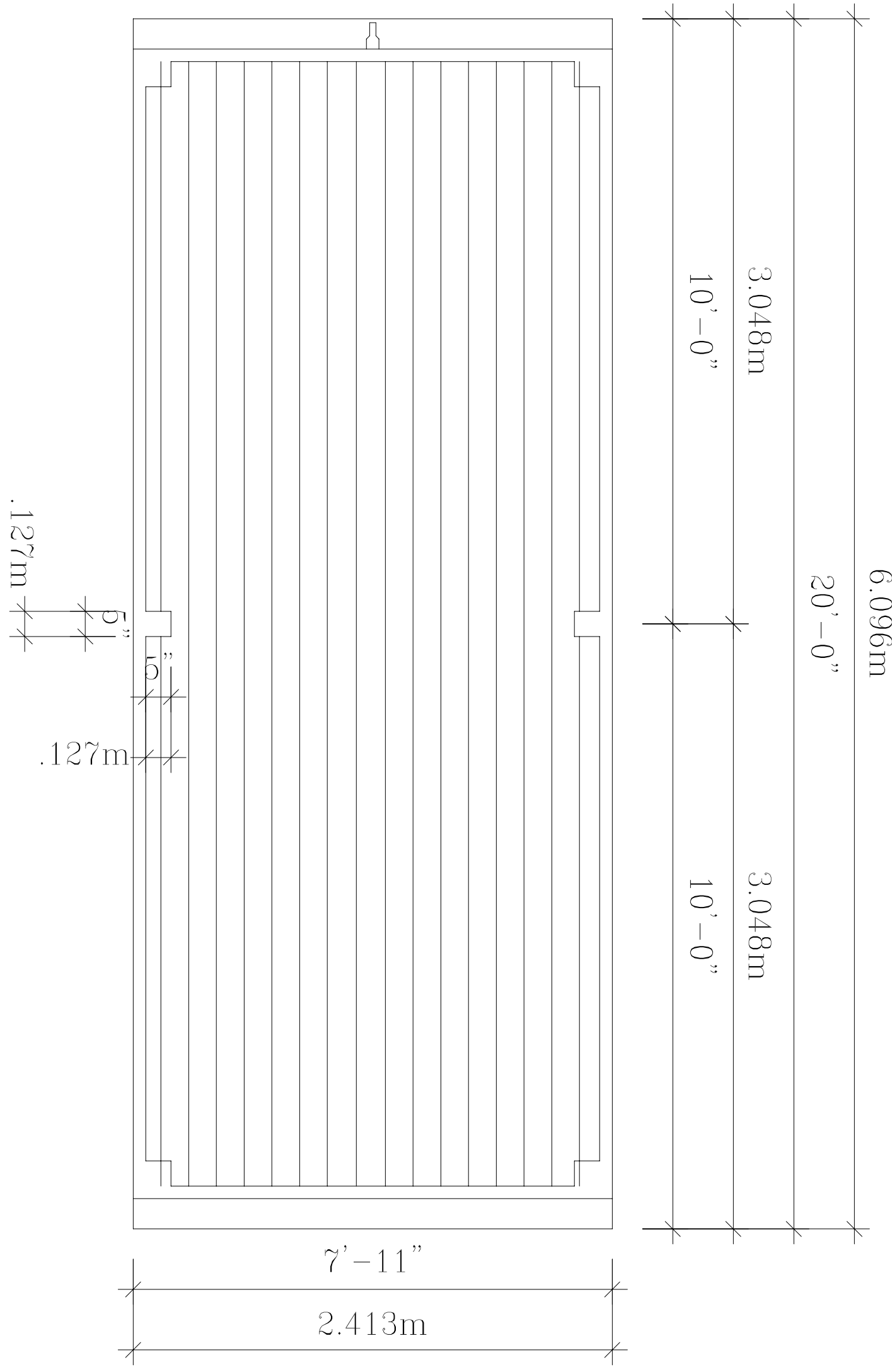
1
2

Billet

SIDE VIEW



TOP VIEW



BILLET

Project No.
 Scale:
 1/2" = 1'

IMPACT
DRAFTING & DESIGN, INC.
D/C Center
210 Henshaw Blvd, Ste 2
Billings, MT 59101
406-259-2100
www.impactdrafting.com

File: D:\IMPACT\Files
Rig Mats of America Inc
44061-259-9172
Closing for invalid re

© 2012 IMPACT
Drafting & Design, Inc.
All rights reserved. All design, drawings, specifications, and other information contained herein are the property of IMPACT Drafting & Design, Inc. and shall remain the property of IMPACT Drafting & Design, Inc. No part of this drawing may be reproduced or transmitted in any form or by any means, electronic or mechanical, including photocopying, recording, or by any information storage and retrieval system, without the prior written permission of IMPACT Drafting & Design, Inc.

Drawn by: _____ Date: _____
J. Groves 16 Oct 12
Revised by: _____ Date: _____

2
2
Rig Mat